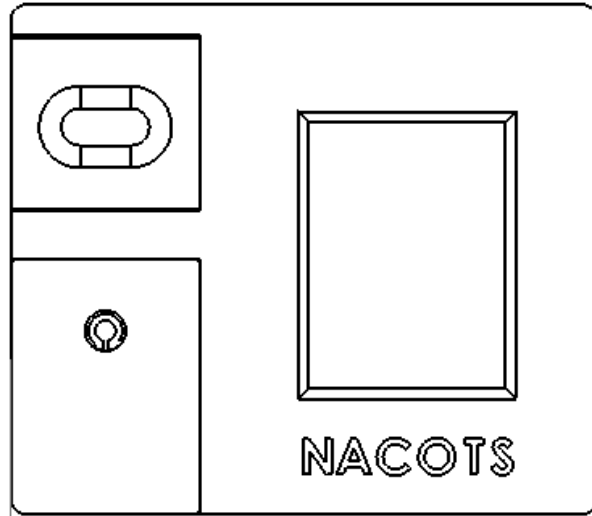
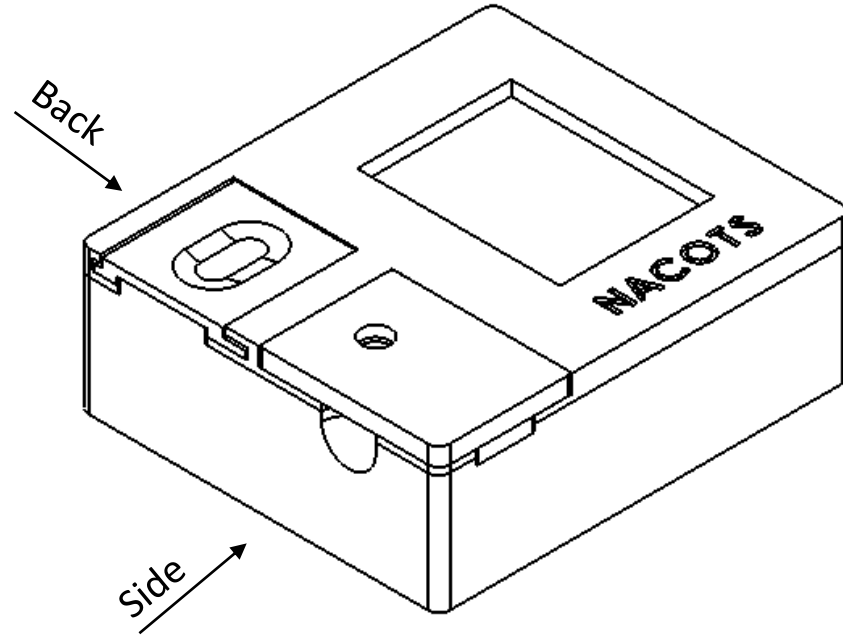


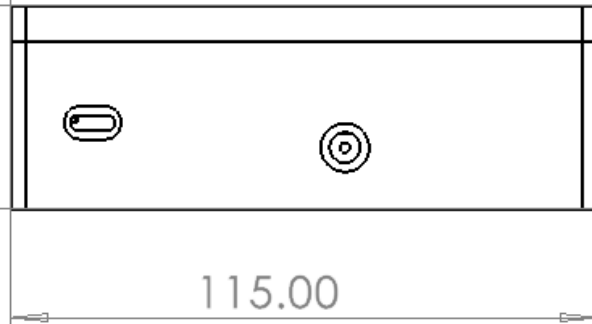
Top View



Isometric View

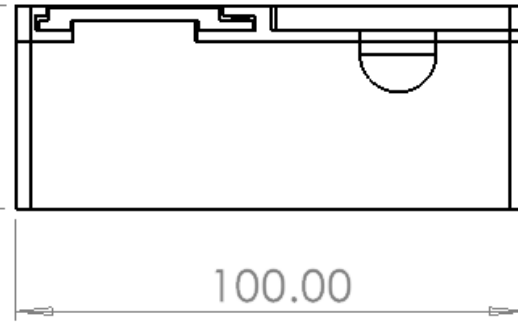


40.00



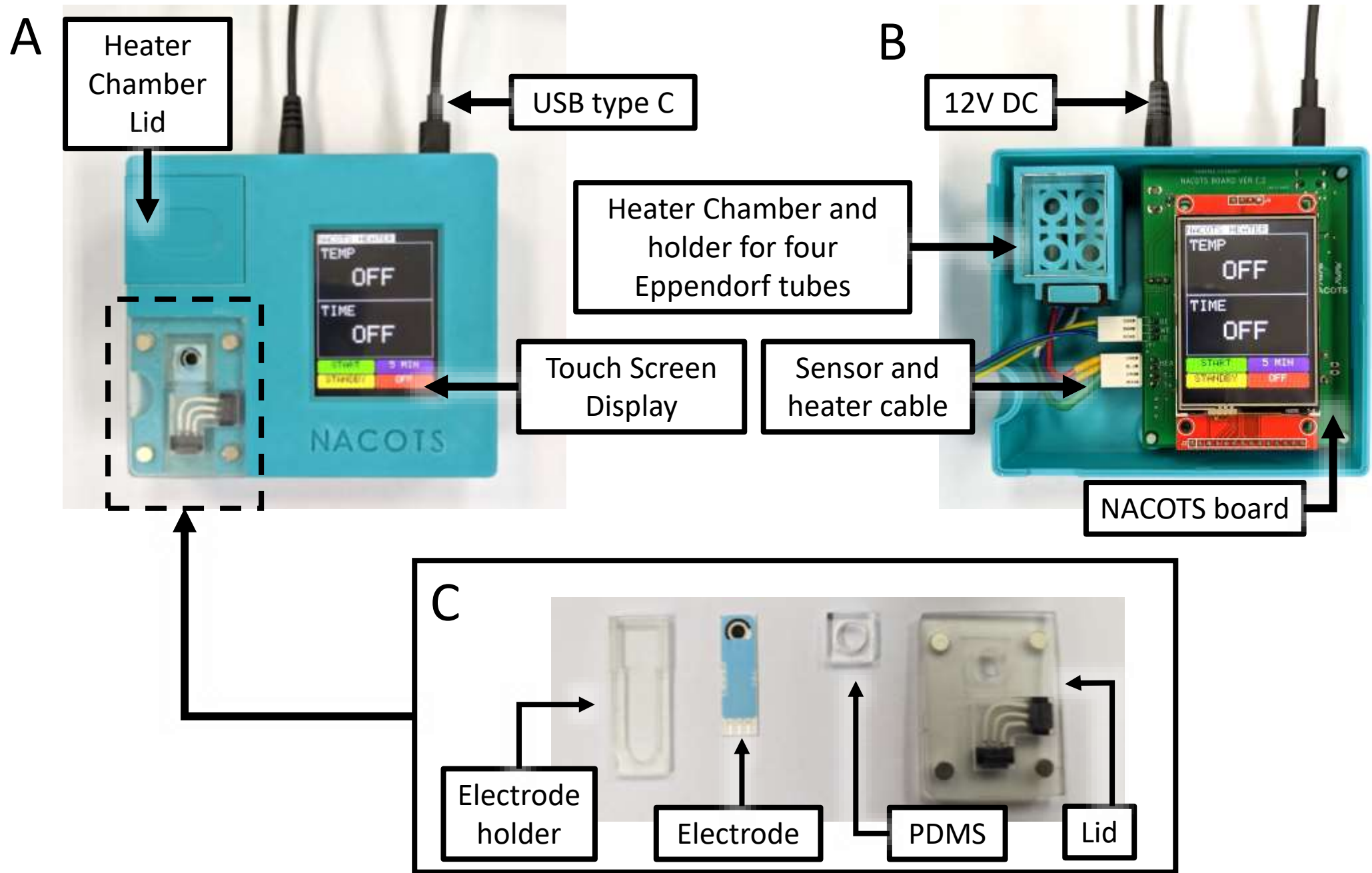
Back View

115.00

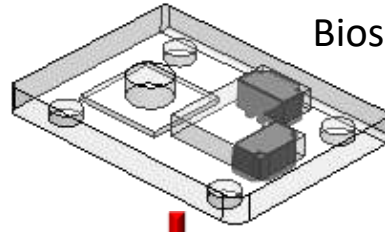


Side View

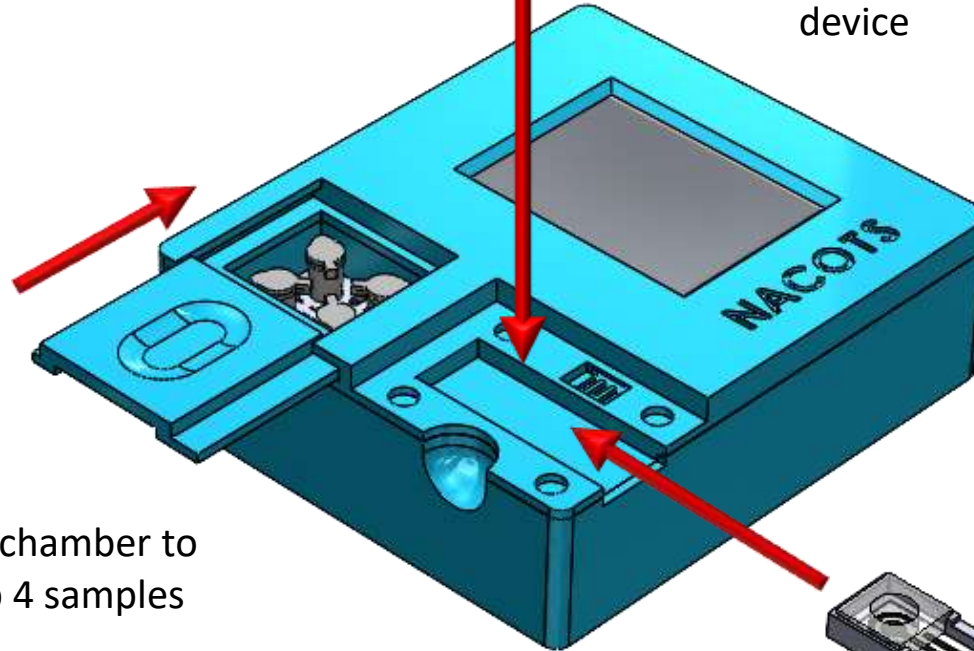
100.00



Lid to connect the Screen-Printed Electrode (SPCE) to Biosensor



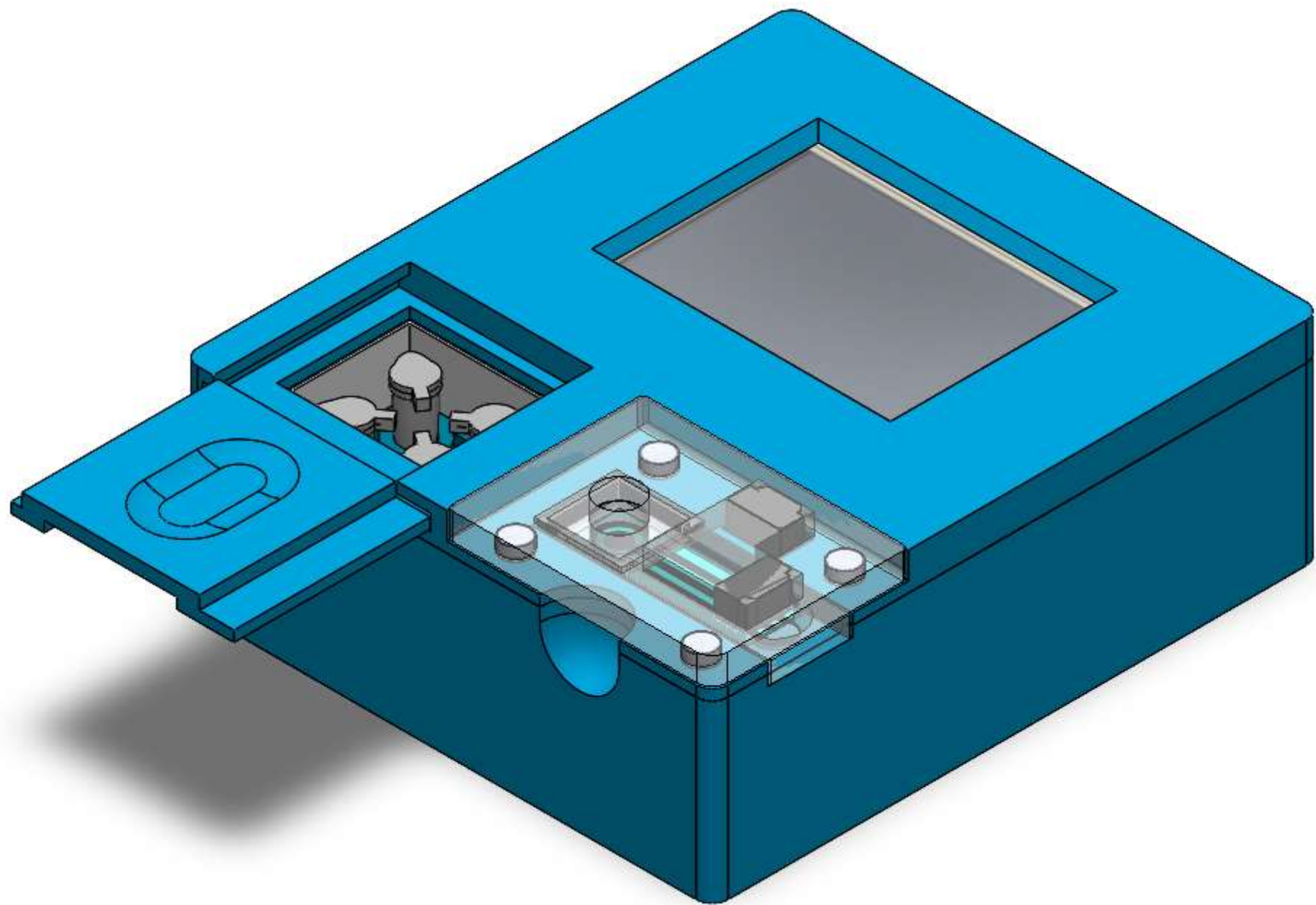
Touch Screen Display to control the device

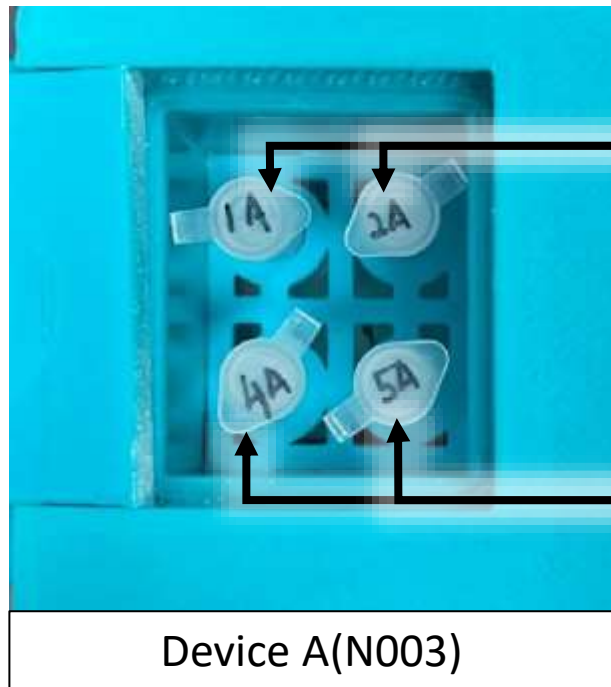


Heater chamber to heat up 4 samples

Screen-Printed Electrode (SPCE) Holder to put the sample without leakage

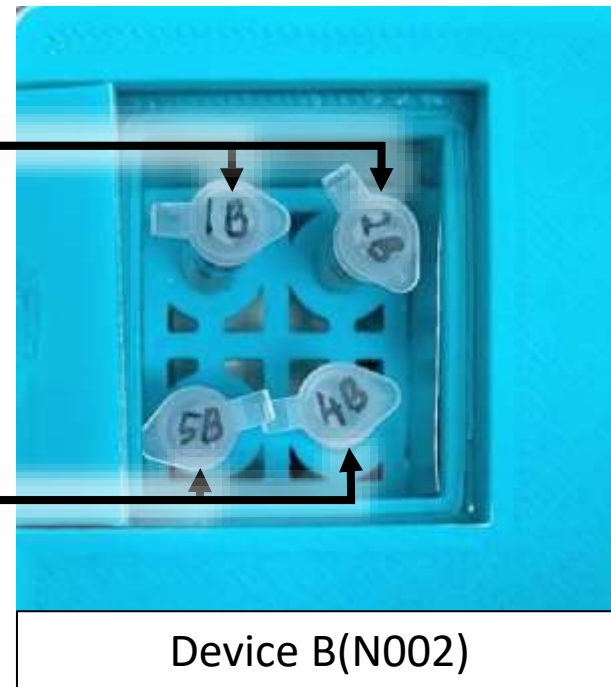


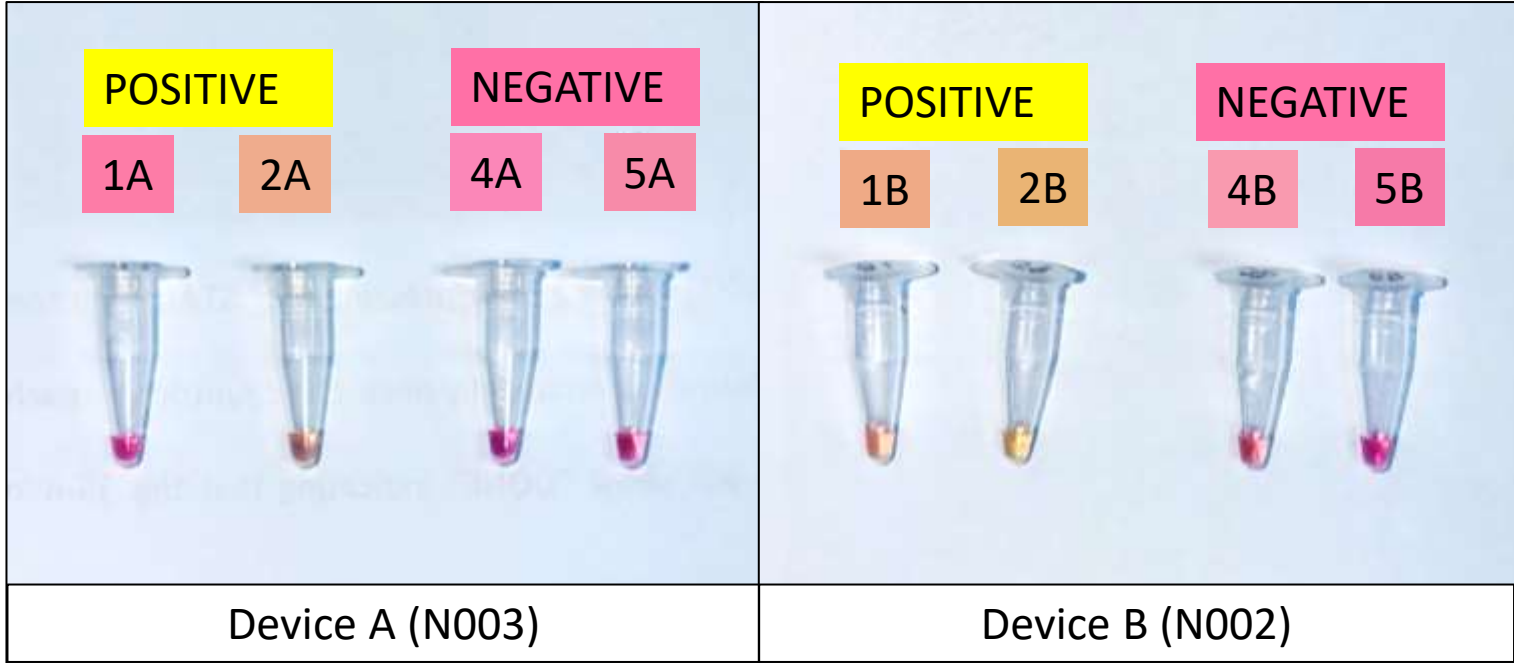


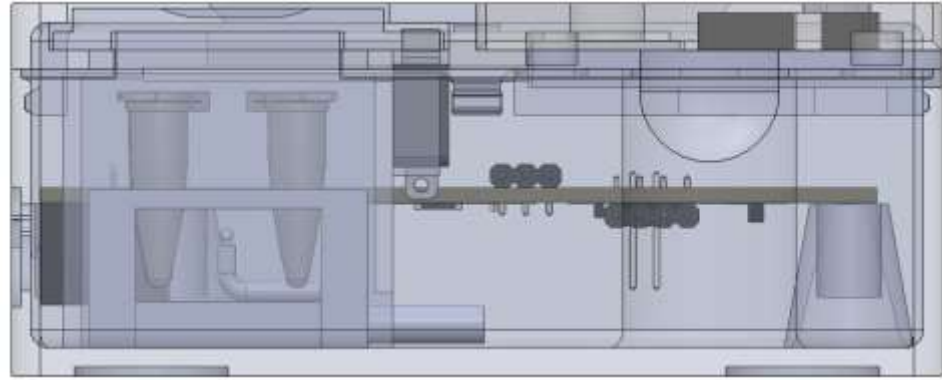


Eppendorf Tube
with positive
sample

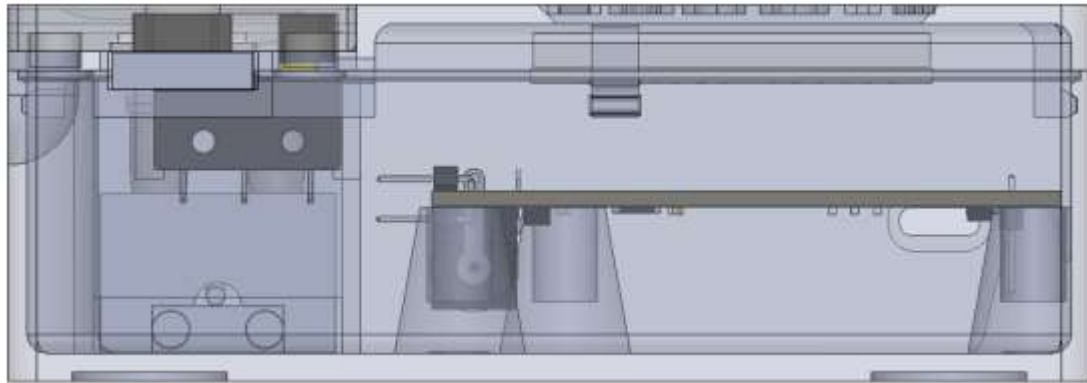
Eppendorf Tube
with negative
sample



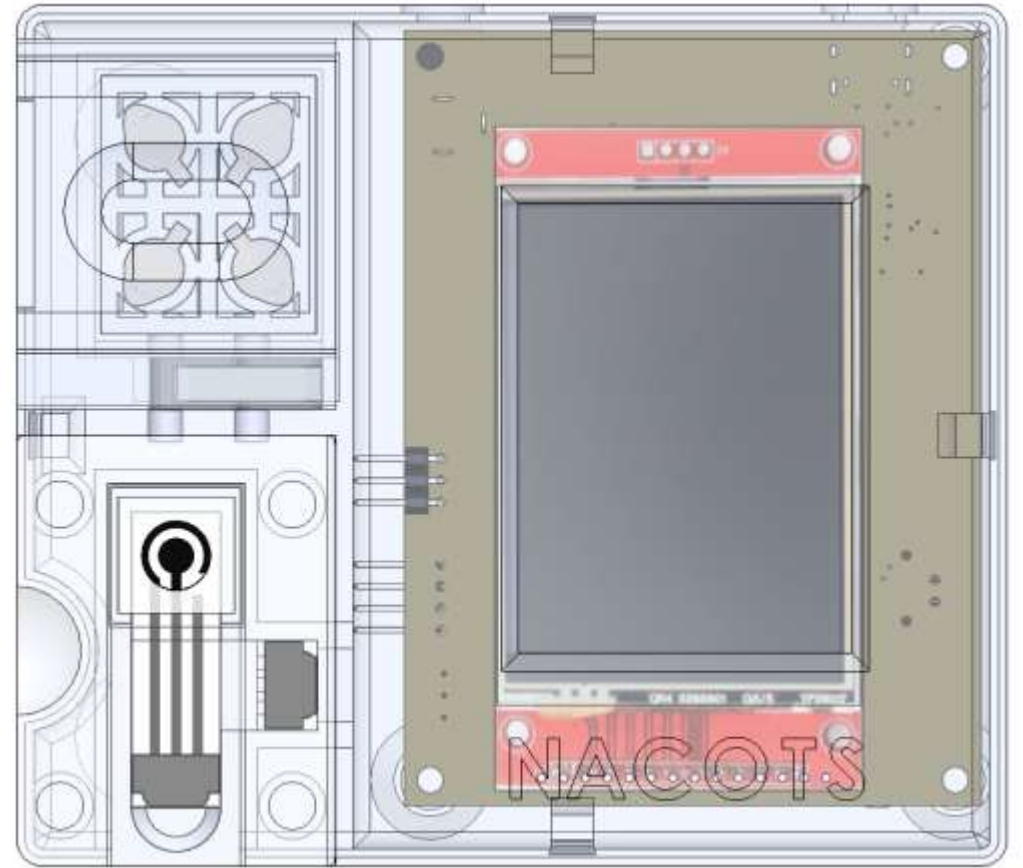




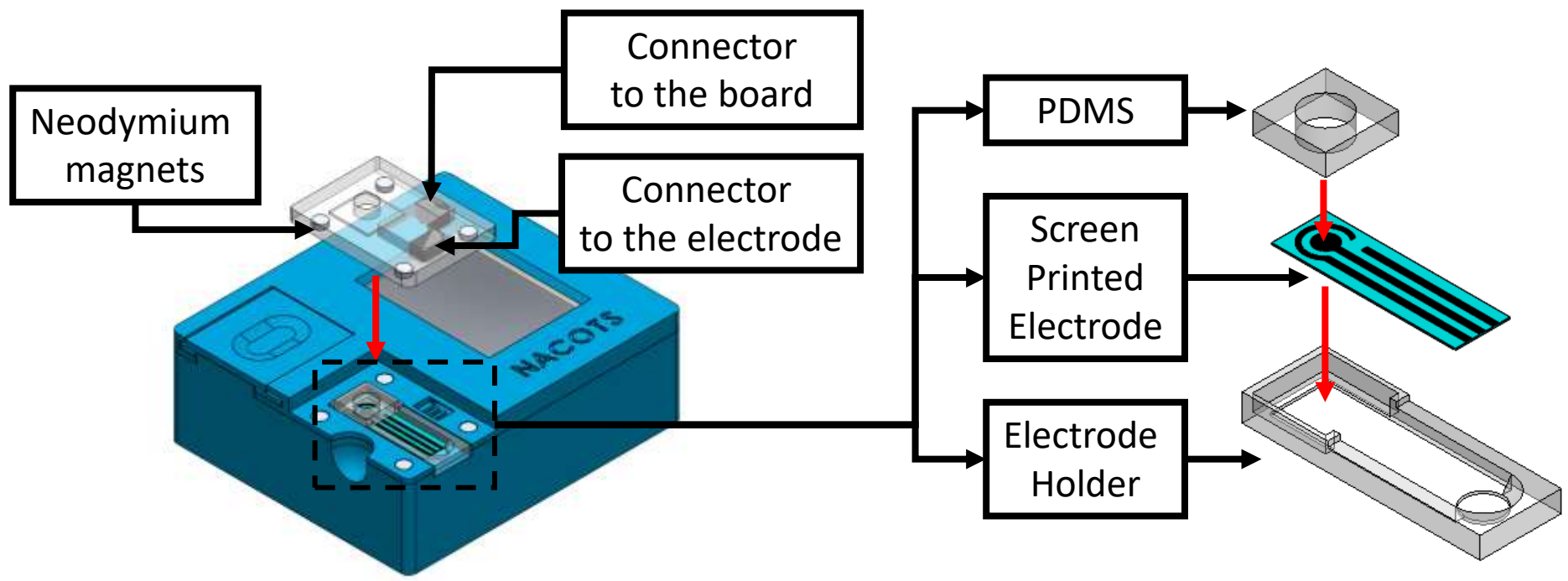
Side View



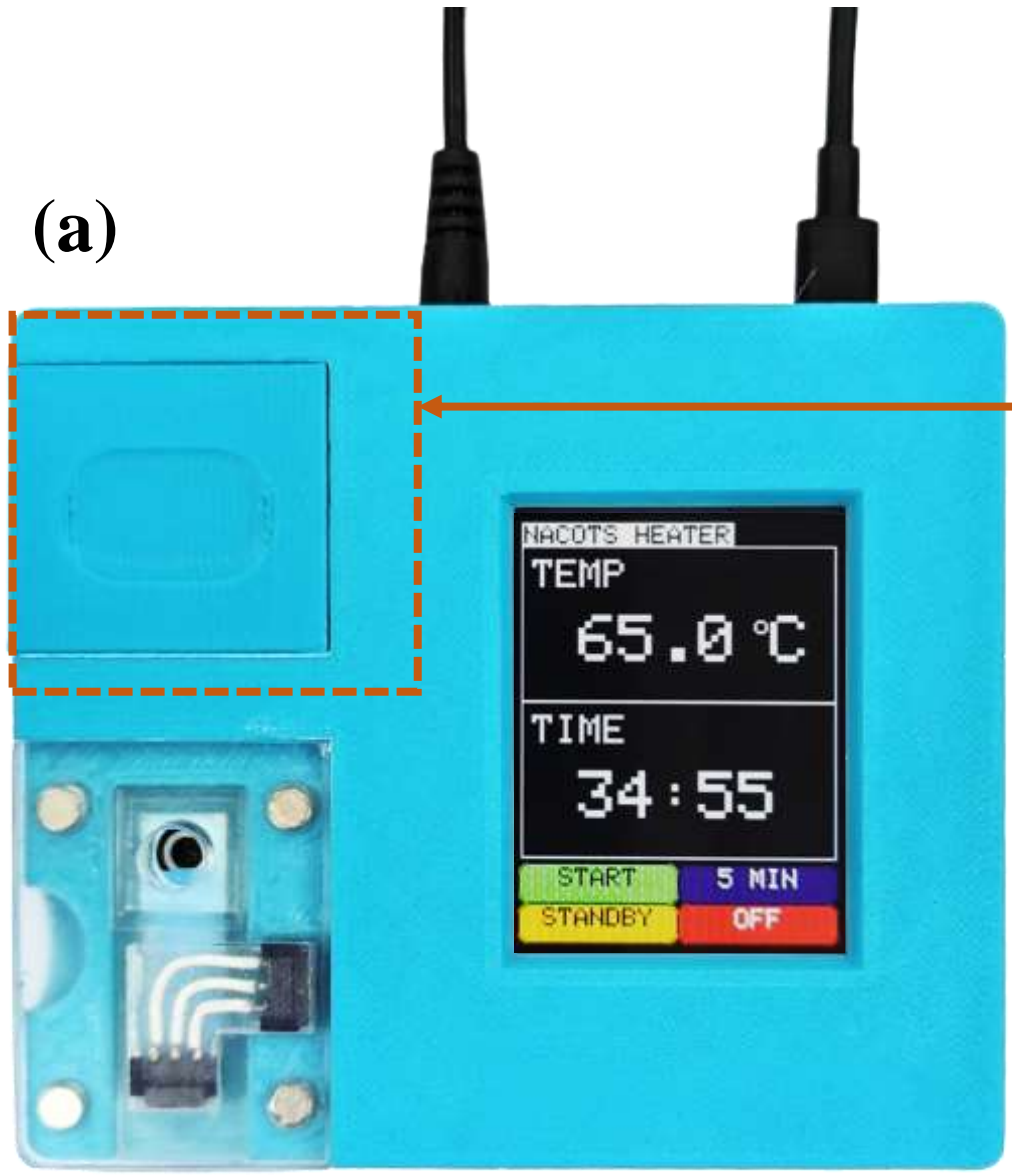
Front View



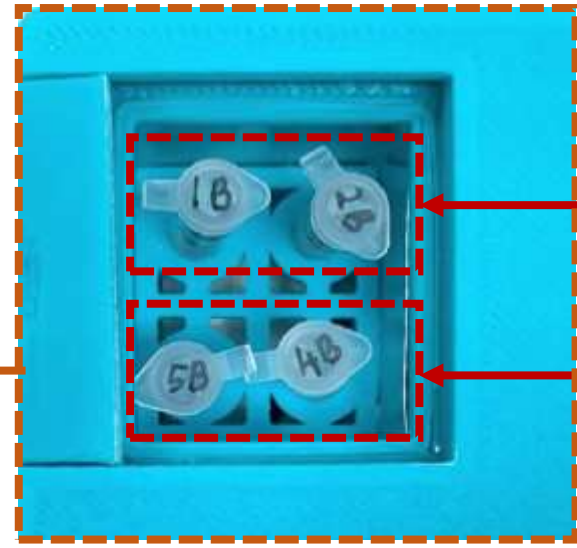
Top View



(a)



Heater Chamber



Positive Samples

Negative Samples

(b)

POSITIVE

NEGATIVE



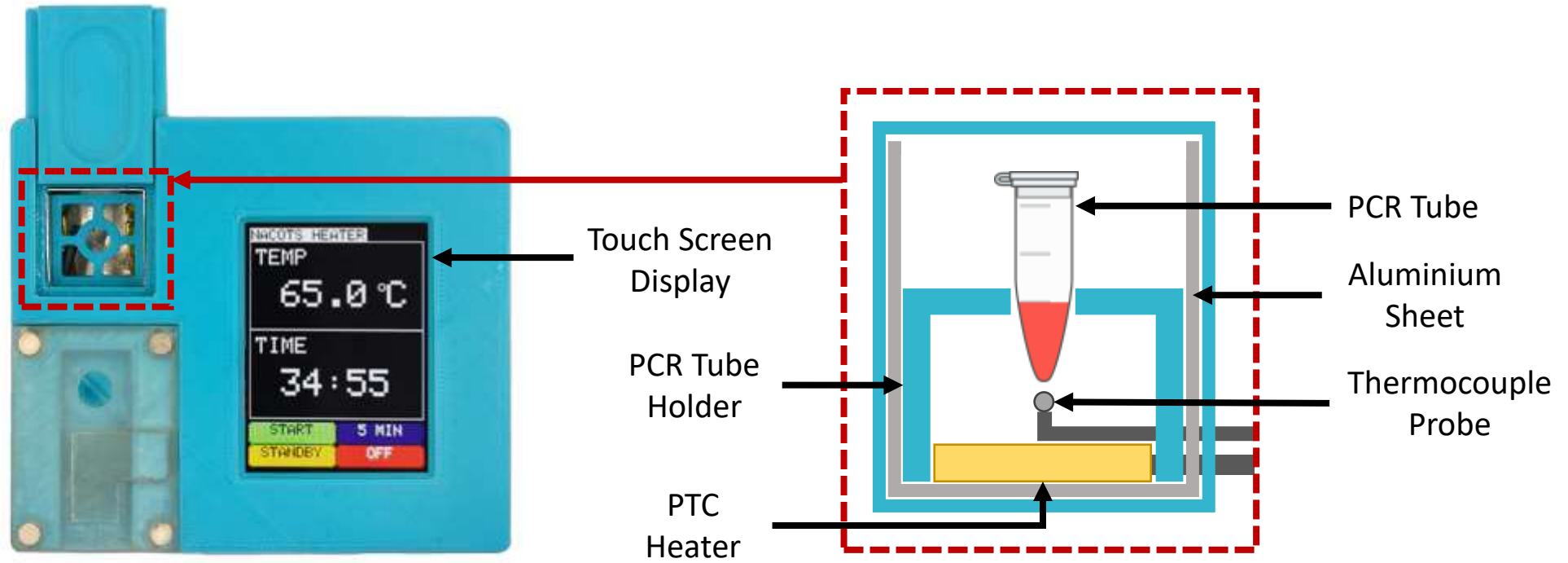
Pink to Yellowish - Orange

Pink to Yellow

No Change

No Change

(a)



(b)

